

Holder Type D (A702)

Holder Type D (A702)

PARTS CATALOG

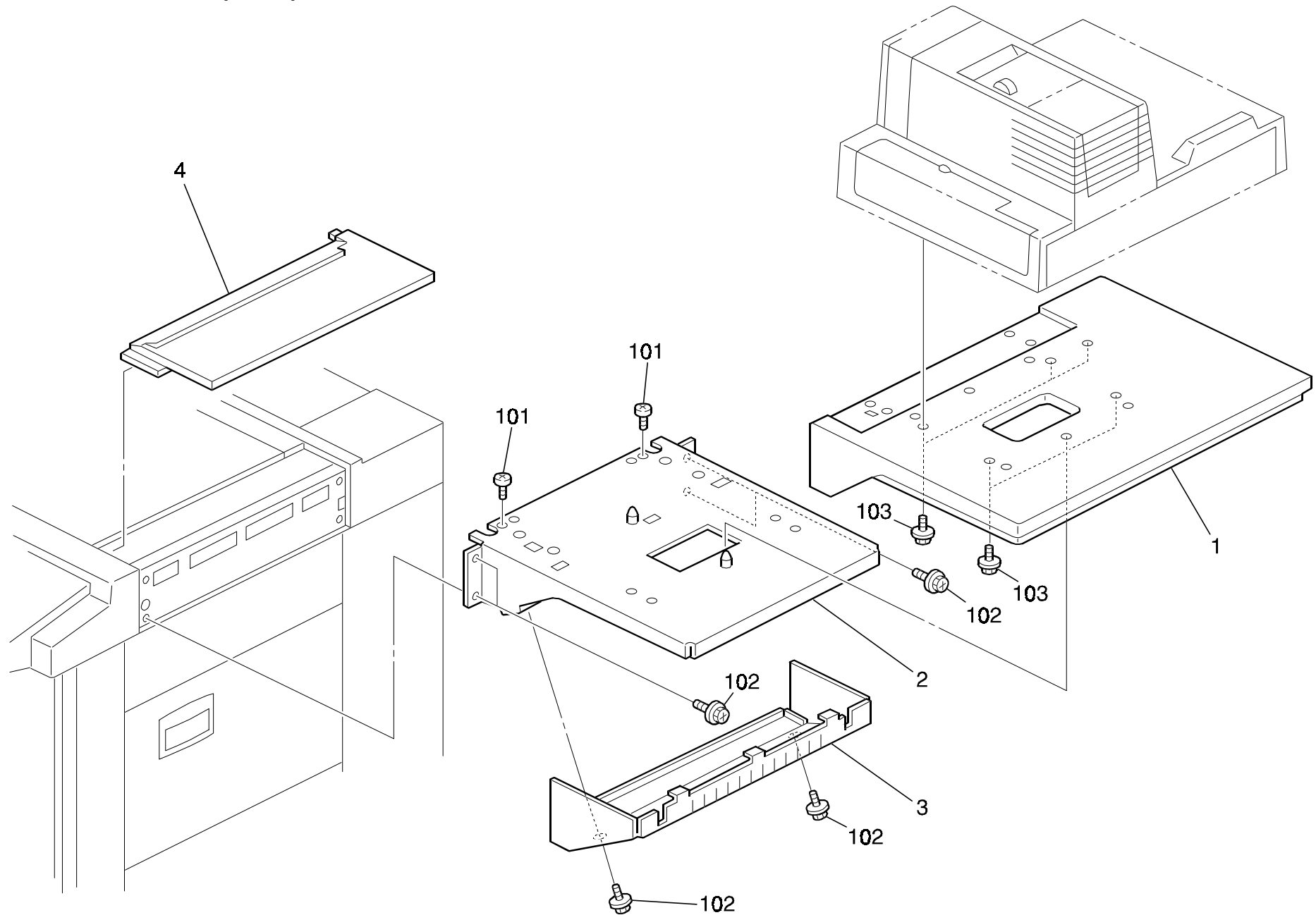
This catalog gives the numbers and names of parts on this machine.

CONTENTS

1.HOLDER TYPE D (A702).....	2
PARTS INDEX	5

September ,10 ' 2000

1.HOLDER TYPE D (A702)



1.HOLDER TYPE D (A702)

Index No.	Part No.	Description	Q'ty Per Assembly
1	A702 1404	Holder Cover	1
2	A702 1402	Holder	1
3	A702 1410	Lower Cover	1
4	A702 1406	Left Cover	1

Index No.	Part No.	Description	Q'ty Per Assembly
101	0313 0060B	Philips Pan Head Screw - M3x6	
102	0451 3006H	Tapping Screw:3x6	
103	0451 3010B	Tapping Screw - M3x10	

Parts Index

Parts Index

Part No.	Description	Page and Index No.
A702 1402	Holder 3- 2	
A702 1404	Holder Cover	3- 1
A702 1406	Left Cover	3- 4
A702 1410	Lower Cover	3- 3

Part No.	Description	Page and Index No.
0313 0060B	Phillips Pan Head Screw - M3x6	3-101
0451 3006H	Tapping Screw:3x6	3-102
0451 3010B	Tapping Screw - M3x10	3-103